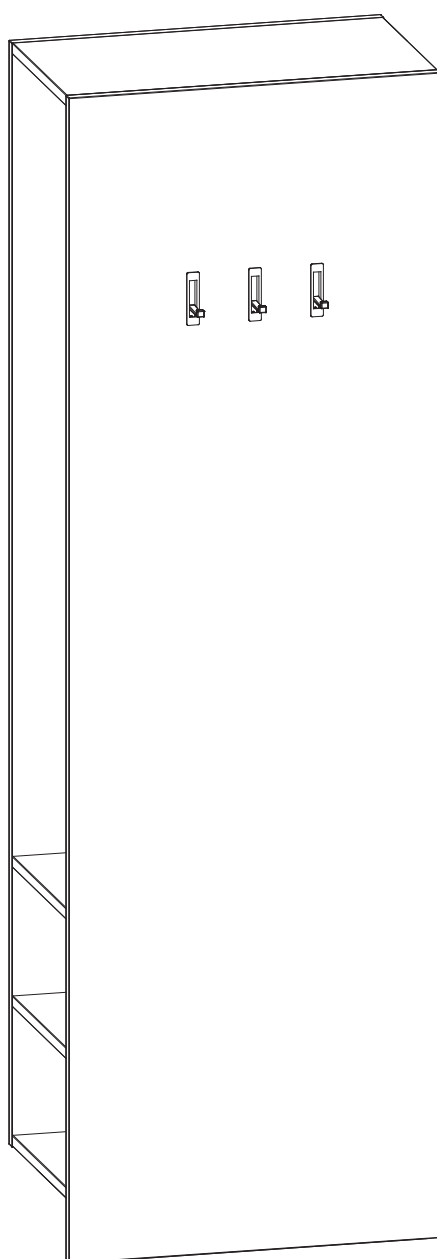
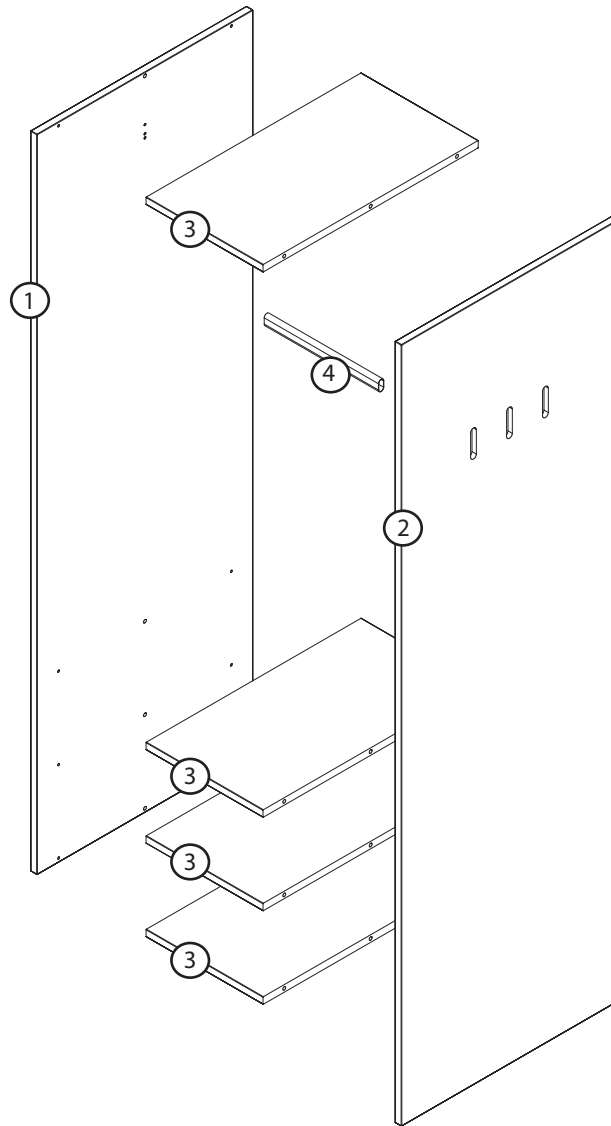
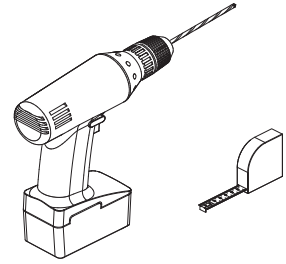
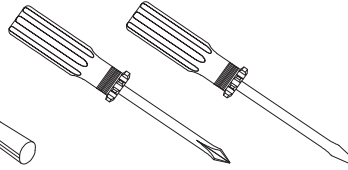
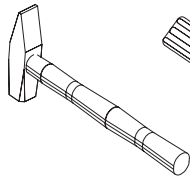
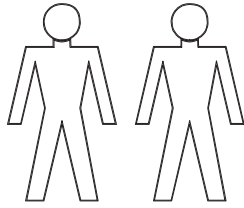

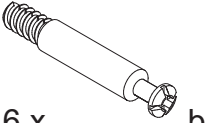
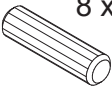

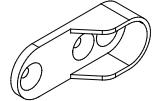

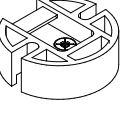
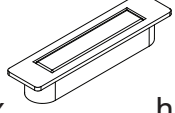

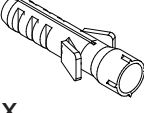
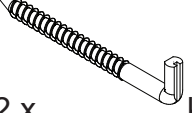



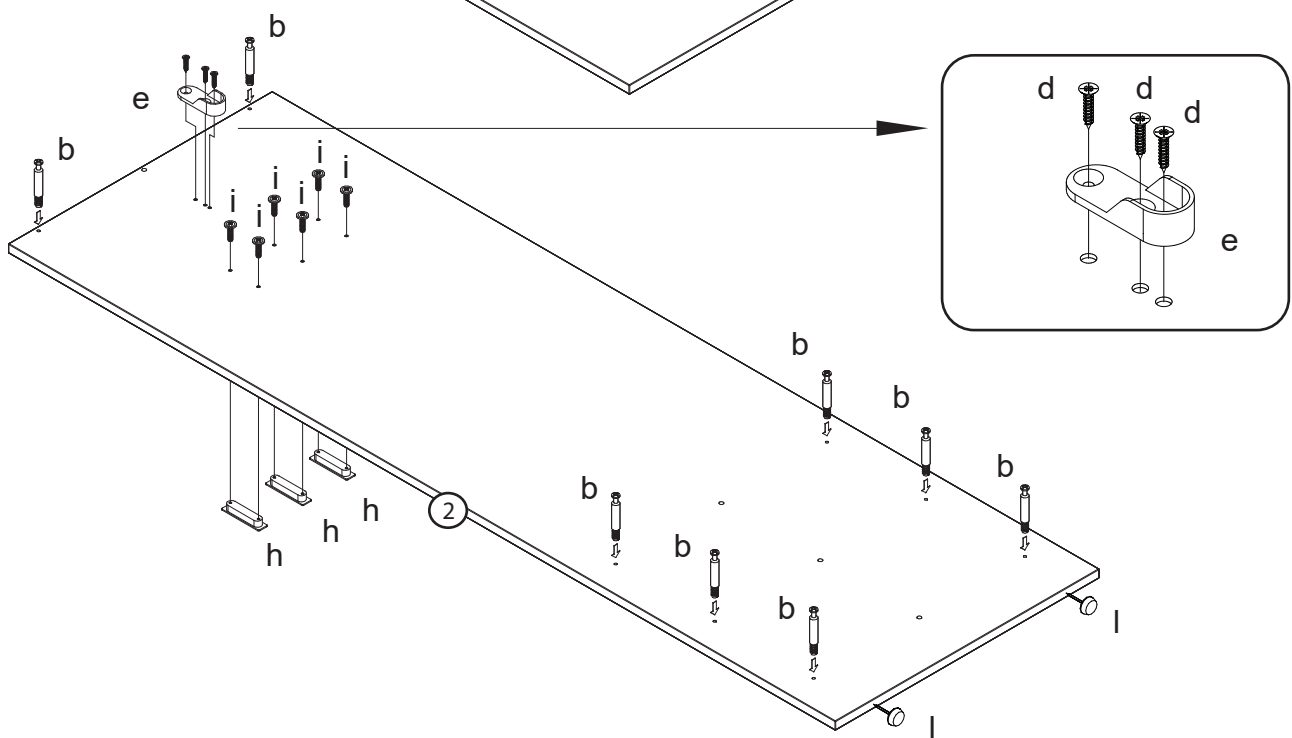
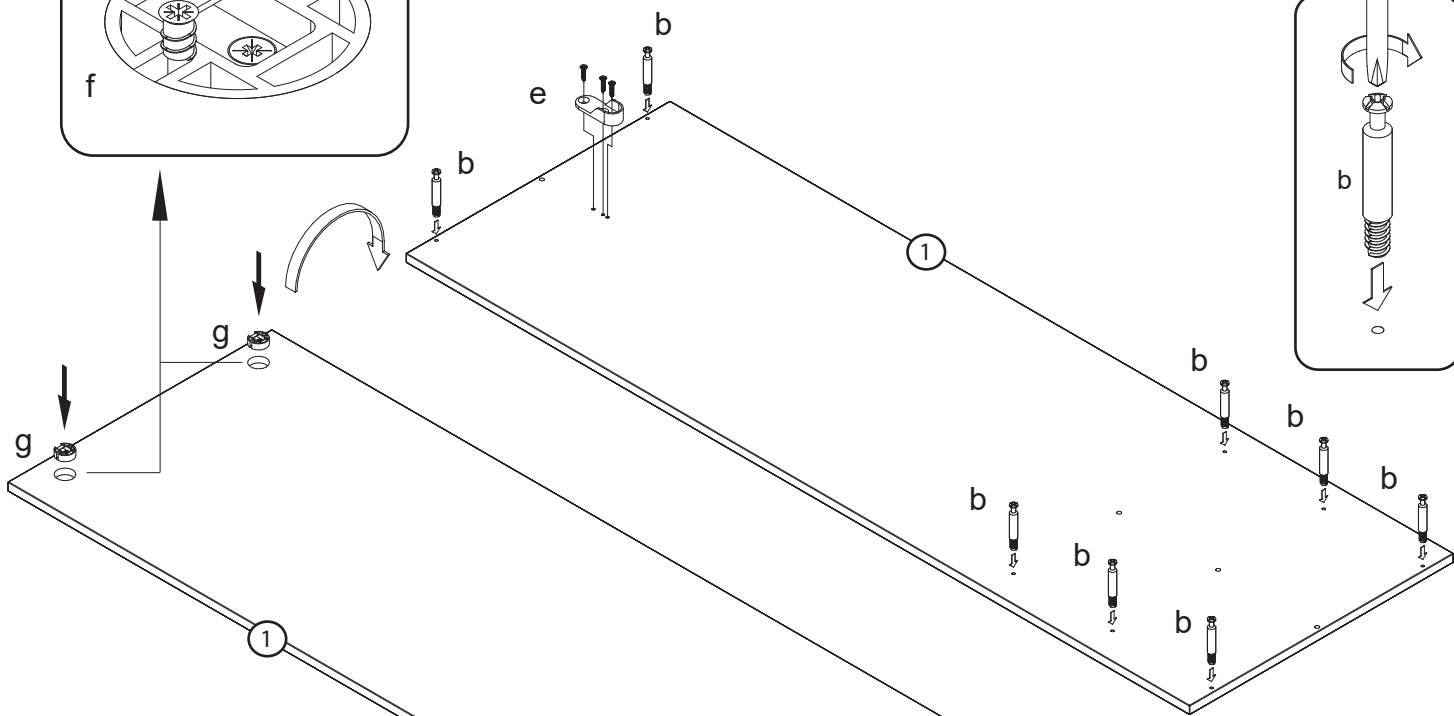
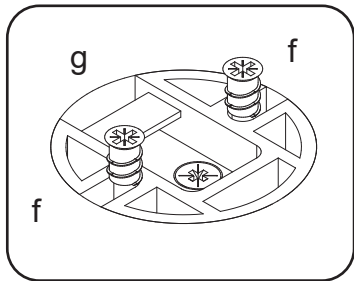
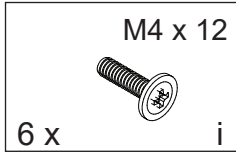
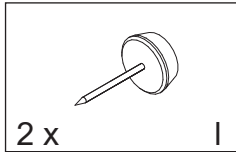
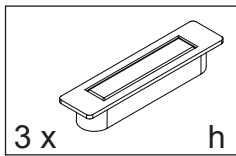
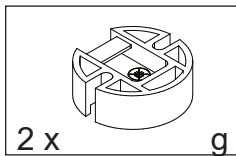
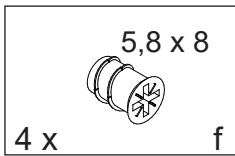
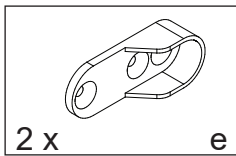
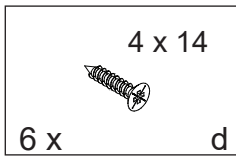
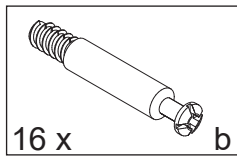
N 1020



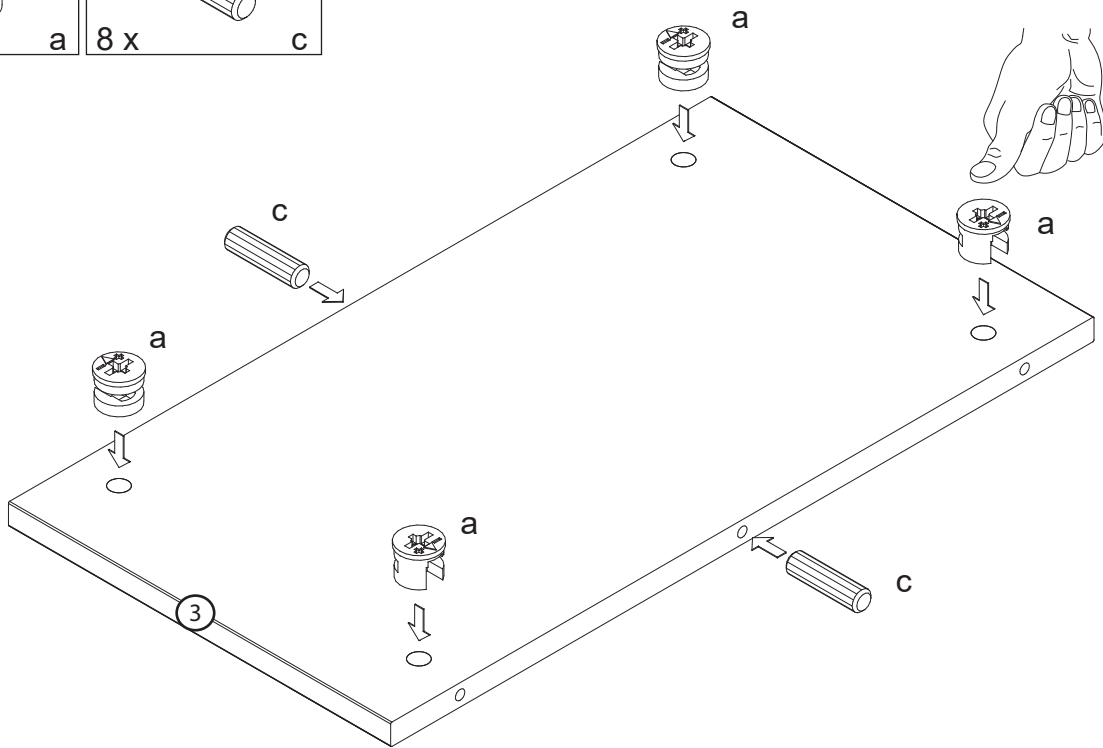
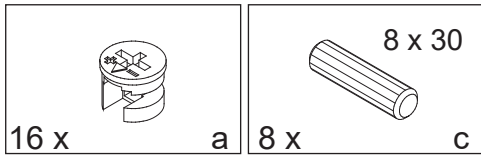


 16 x a	 16 x b	 8 x 30 8 x c	 4 x 14 6 x d	 2 x e	 5,8 x 8 4 x f
 2 x g	 3 x h	 M4 x 12 6 x i	 2 x j	 2 x k	 2 x l

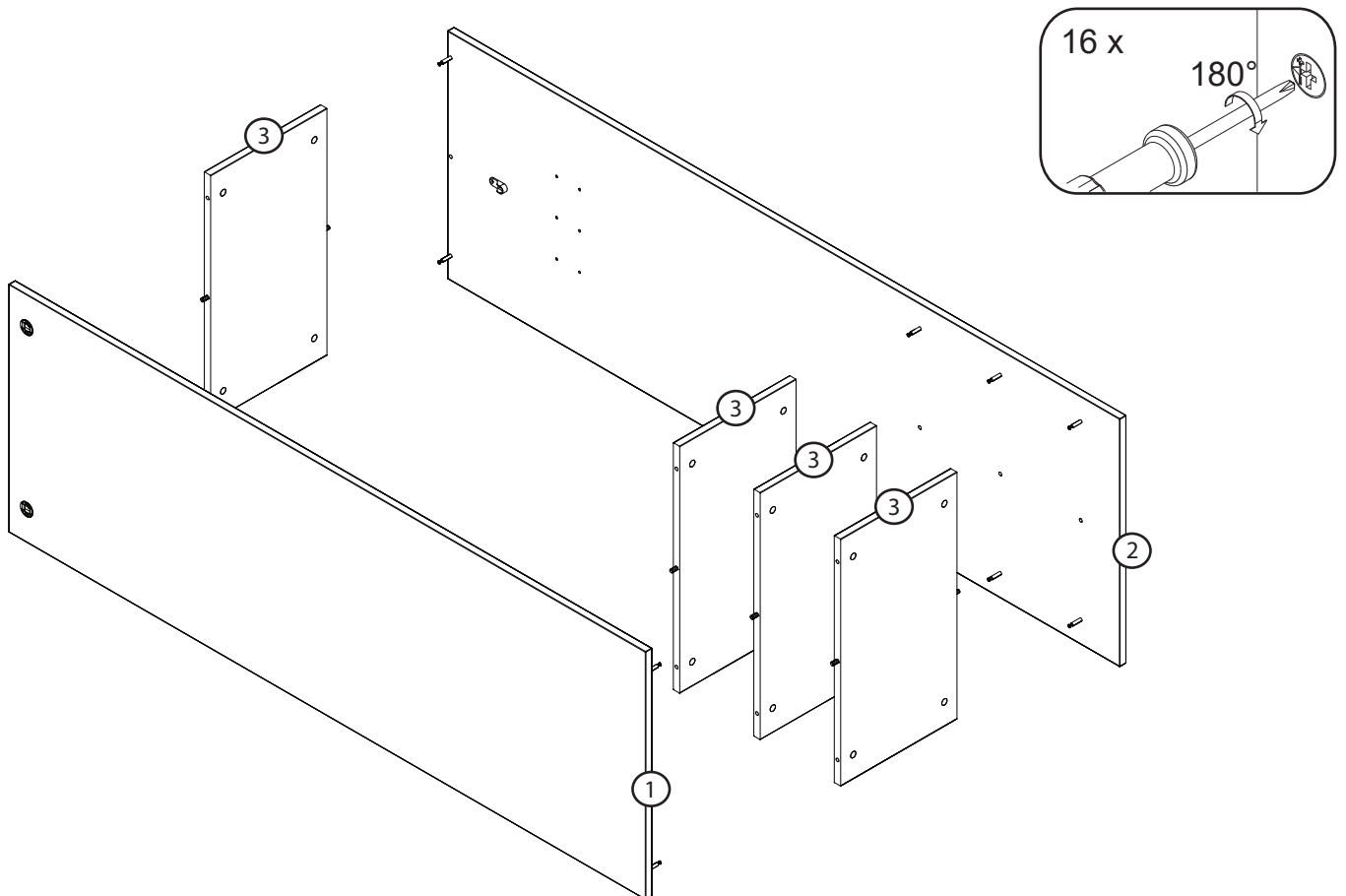
1



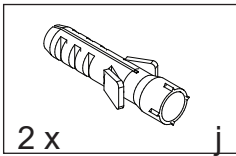
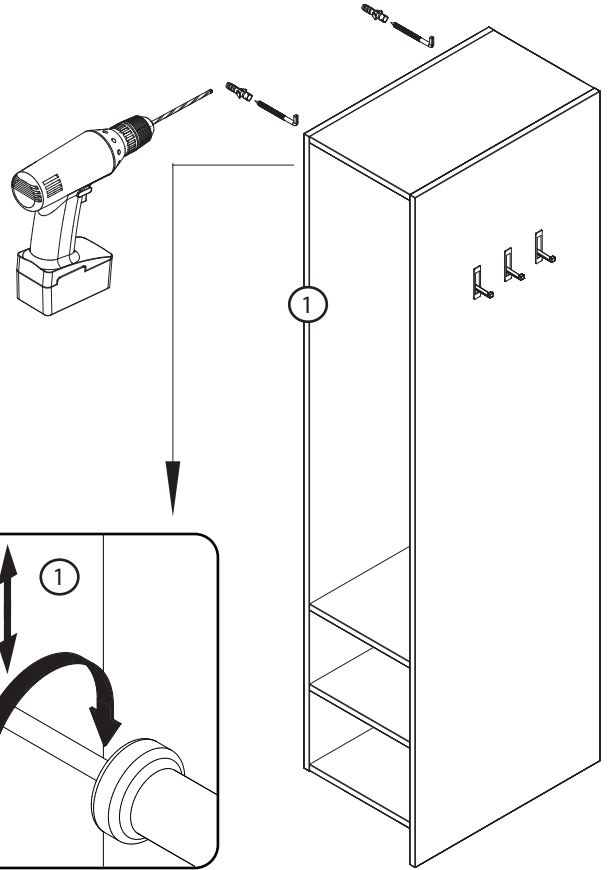
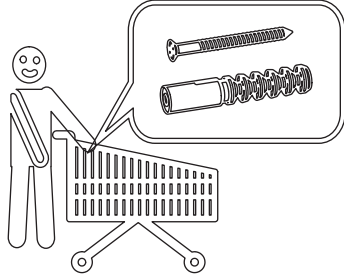
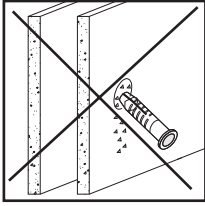
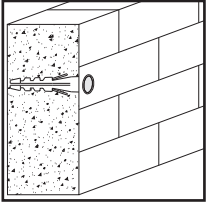
2 4x



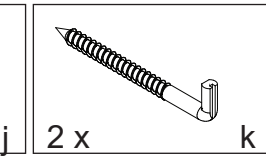
3



4



2 x



2 x

k

5

